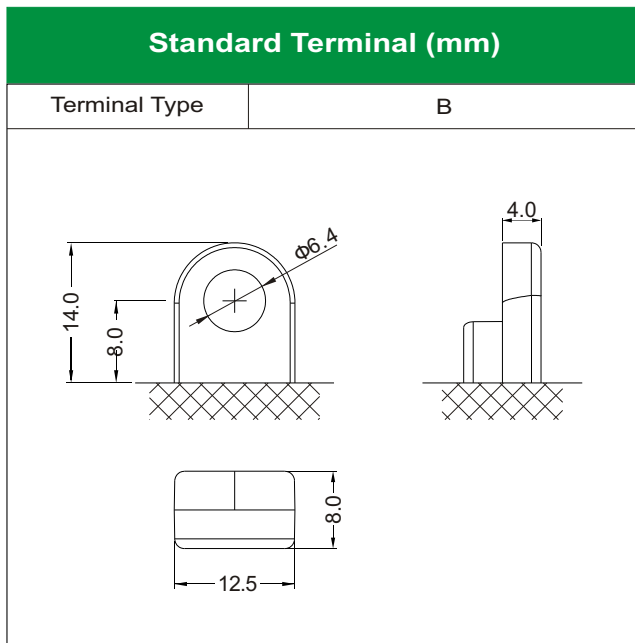
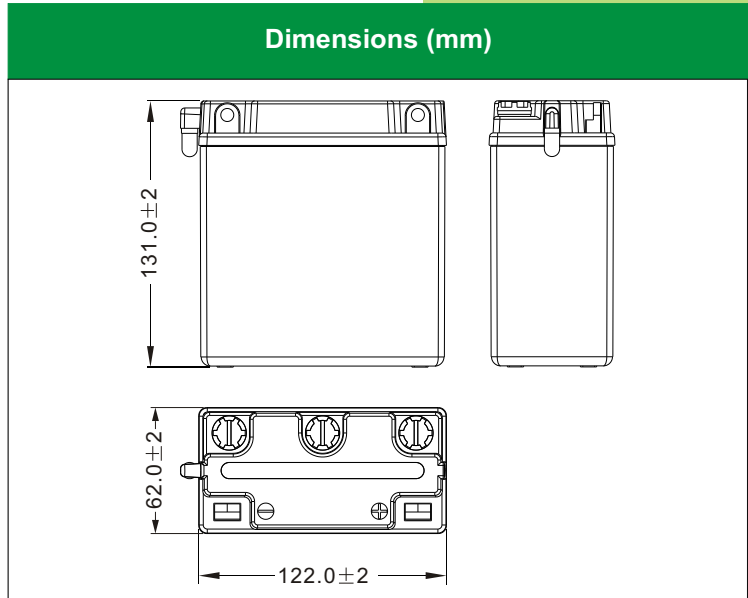
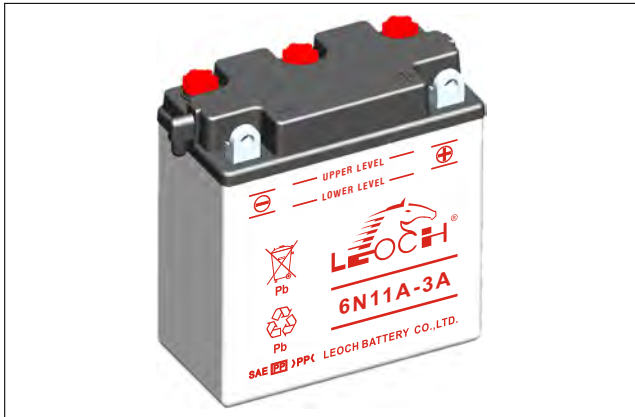


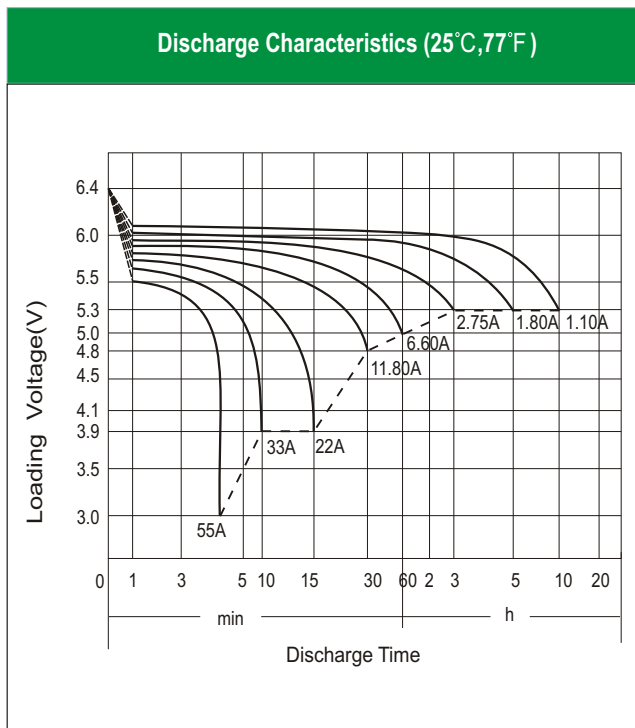


6N11A-3A [6V11Ah]



Physical Specification

Nominal Voltage	12V	
Nominal Capacity (10HR)	11AH	
Dimension	Length	122 ± 2mm (4.80inches)
	Width	62 ± 2mm (2.44 inches)
	Container Height	131 ± 2mm (5.16 inches)
	Total Height (with Terminal)	131 ± 2mm (5.16 inches)
Weight	Battery(with acid): Approx 2.01kg (4.42lbs)	
	Electrolyte: Approx 0.61kg (1.34lbs)	
<ul style="list-style-type: none"> * High performance and dry charged high quality and flooded battery * Low maintenance * Shipped without battery electrolyte pre-charged and ready to install * Replaces 6N11A-3 battery 		



Electrical Specification

Rated Capacity	10 hour rate (1.10A)	11.00AH
	5 hour rate (1.80 A)	9.02AH
	2 hour rate (3.85 A)	7.70AH
	1 hour rate (6.60 A)	6.60AH
	0.5 hour rate (11.80 A)	5.94AH
Capacity affected by Temperature	40 C (104 F)	106%
	25 C (77 F)	100%
	0 C (32 F)	86%
	-15 C (5 F)	65%
Self Discharge	Approximately 12% per month (25C (77F))	
Charging Methods	Full Charge	Constant-Voltage Charge: Initial charging current: less than 3.3A Voltage: 7.20 V ~ 7.50 V at 25°C (77 °F) Charging time: 16 ~24h Constant-Current Charge: Charging current: 1.1A, when charging voltage up to 7.80V, continue to charge 2h.
	Floating Charge	No limit on Initial charging current Voltage: 6.75 V ~ 6.90 V at 25 °C (77 °F)