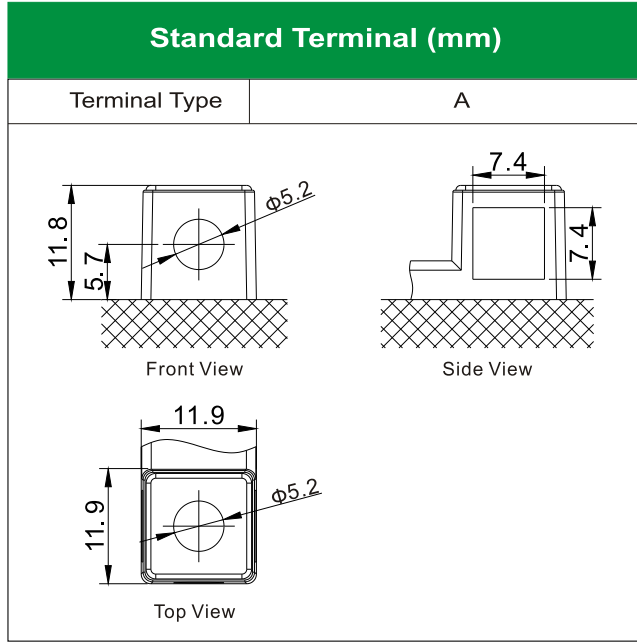
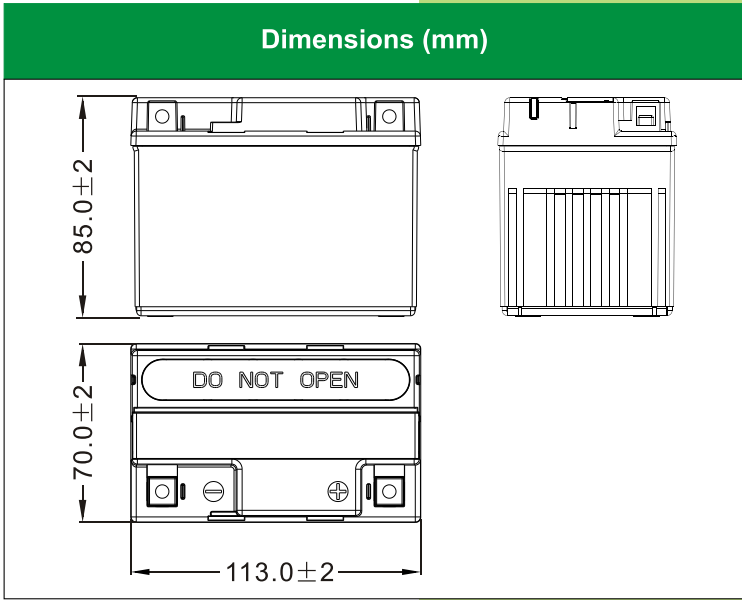




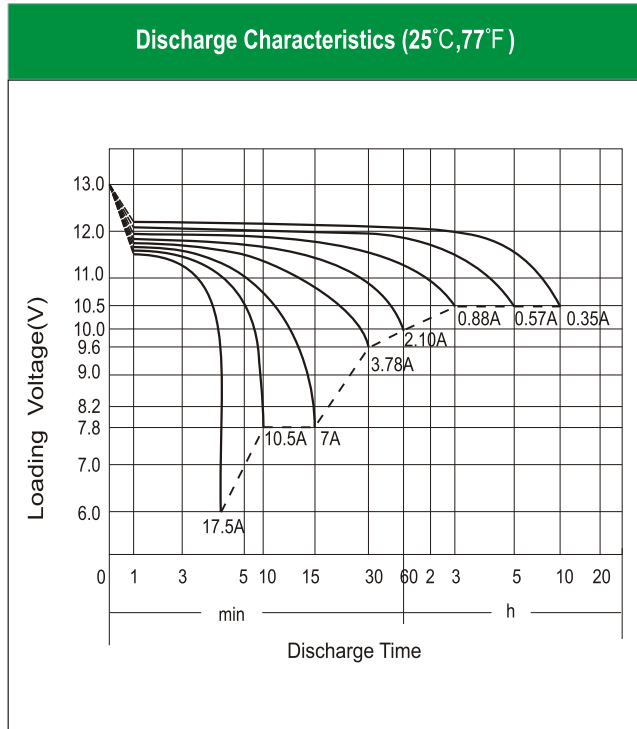
LEOCH BATTERY EBZ5L-BS [12V3.5Ah]



Physical Specification

Nominal Voltage	12V	
Nominal Capacity (10HR)	3.5Ah	
Dimension	Length	113 ± 2mm (4.45 inches)
	Width	70 ± 2mm (2.76 inches)
	Container Height	85 ± 2mm (3.35 inches)
	Total Height (with Terminal)	85 ± 2mm (3.35 inches)
Weight	Battery(with acid): Approx 1.43kg (3.15lbs) Electrolyte: Approx 0.22kg (0.48lbs)	

- * Sealed AGM battery
- * Fresh Pack, Maintenance Free
- * Powerful 50 cold cranking amps
- * Rest after filling acid
- * Maximum tilt angle for installation: 25°



Electrical Specification

Rated Capacity	10 hour rate (0.35 A)	3.50Ah
	5 hour rate (0.57 A)	2.87Ah
Capacity affected by Temperature	2 hour rate (1.23 A)	2.45Ah
	1 hour rate (2.10 A)	2.10Ah
	0.5 hour rate (3.78 A)	1.89Ah
Charging Methods	40 °C (104 °F)	106%
	25 °C (77 °F)	100%
	0 °C (32 °F)	86%
	-15 °C (5 °F)	65%
Full Charge	Constant-Voltage Charge: Initial charging current: less than 1.05A Voltage: 14.40 V ~ 15.00 V at 25 °C (77 °F) Charging time: 15 ~18h	
	Constant-Current Charge: Charging current: 0.1C ₁₀ =0.35A, when charging voltage up to 14.40V, continue to charge 4h	
Floating Charge	No limit on Initial charging current Voltage: 13.50 V ~ 13.80 V at 25 °C (77 °F)	