



# LP Series-General Purpose LP12-6.0(12V6.0Ah)

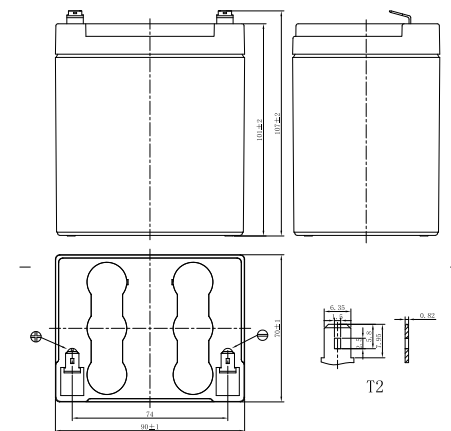


## Specifications

Rated Voltage	12V	
Nominal Capacity	6.0Ah	(C <sub>20</sub> , 1.75V/cell)
Dimension	Length	90±1mm (3.54 inches)
	Width	70±1mm (2.76 inches)
	Container Height	101±2mm (3.98 inches)
	Total Height	107±2mm (4.21 inches)
Approx Weight	1.91 Kg (4.21 lbs)	
Terminal	T1/T2	
Container Material	ABS	
Rated Capacity (25°C)	6.00 Ah	(20hr, 0.300A, 1.75V/cell)
	5.67 Ah	(10hr, 0.567A, 1.75V/cell)
	5.15 Ah	(5hr, 1.03A, 1.75V/cell)
	4.62 Ah	(3hr, 1.54A, 1.75V/cell)
	4.17 Ah	(1hr, 4.17A, 1.60V/cell)
Max. Discharge Current	90A (5s)	
Internal Resistance (25°C)	Approx 20mΩ	
Operating Temp. Range	Discharge	-15 ~ 50°C (5 ~ 122°F)
	Charge	-20 ~ 40°C (-4 ~ 104°F)
	Storage	-15 ~ 40°C (5 ~ 104°F)
Nominal Operating Temp. Range	25±3°C (77±5°F)	
Cycle Use	Initial Charging Current less than 1.8A. Voltage 14.4V~15.0V at 25°C(77°F)Temp. Coefficient -30mV/°C	
Standby Use	Initial Charging Current less than 1.8A. Voltage 13.5V~13.8V at 25°C(77°F)Temp. Coefficient -20mV/°C	
Effect of temp. to Capacity	40°C (104°F)	103%
	25°C (77°F)	100%
	0°C (32°F)	86%
Self Discharge	LP series batteries may be stored for up to 6 months at 25°C(77°F) and then a freshening charge is required. For higher temperatures the time interval will be shorter.	



## Layout



## Constant Current Discharge (Amperes) at 25 °C (77°F)

F.V/Time	5min	10min	15min	20min	30min	45min	1h	1.5h	2h	3h	4h	5h	6h	8h	10h	20h
1.85V/cell	21.8	14.4	11.0	8.91	6.51	4.68	3.78	2.72	2.11	1.49	1.18	1.01	0.86	0.68	0.555	0.293
1.80V/cell	23.4	15.3	11.6	9.26	6.71	4.81	3.87	2.78	2.14	1.52	1.20	1.02	0.87	0.69	0.562	0.297
1.75V/cell	24.7	15.9	12.0	9.52	6.88	4.91	3.95	2.83	2.18	1.54	1.21	1.03	0.88	0.70	0.567	0.300
1.70V/cell	25.8	16.5	12.4	9.80	7.06	5.02	4.02	2.88	2.22	1.57	1.23	1.05	0.89	0.70	0.573	0.302
1.67V/cell	26.7	17.0	12.7	10.0	7.18	5.10	4.08	2.92	2.24	1.58	1.24	1.06	0.90	0.71	0.577	0.305
1.60V/cell	28.4	17.7	13.1	10.3	7.38	5.23	4.17	2.98	2.29	1.61	1.26	1.07	0.92	0.72	0.585	0.308

## Constant Power Discharge (Watts/cell) at 25 °C (77°F)

F.V/Time	5min	10min	15min	20min	30min	45min	1h	1.5h	2h	3h	4h	5h	6h	8h	10h	20h
1.85V/cell	41.2	27.4	21.1	17.2	12.6	9.09	7.34	5.32	4.12	2.94	2.33	1.98	1.70	1.34	1.10	0.587
1.80V/cell	43.9	28.8	22.0	17.7	12.9	9.30	7.50	5.41	4.19	2.98	2.36	2.01	1.73	1.36	1.12	0.593
1.75V/cell	45.7	29.8	22.6	18.1	13.2	9.46	7.63	5.49	4.25	3.02	2.39	2.03	1.74	1.38	1.13	0.600
1.70V/cell	47.4	30.8	23.2	18.6	13.5	9.64	7.74	5.57	4.30	3.06	2.41	2.06	1.76	1.39	1.14	0.605
1.67V/cell	48.6	31.4	23.7	18.9	13.7	9.77	7.85	5.63	4.34	3.08	2.43	2.07	1.78	1.40	1.14	0.610
1.60V/cell	50.6	32.4	24.4	19.4	14.0	9.95	7.98	5.73	4.42	3.13	2.47	2.10	1.80	1.42	1.16	0.616



# LP Series-General Purpose LP12-6.0(12V6.0Ah)



## Applications

- All purpose
- Uninterruptable Power Supply (UPS)
- Electric Power System (EPS)
- Emergency backup power supply
- Alarm and security system
- Communication power supply
- DC power supply
- Auto control system

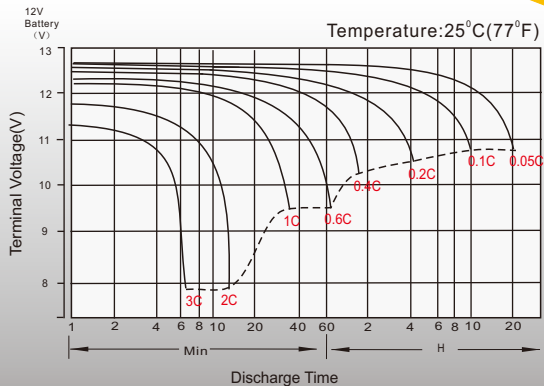
## General Features

- 5 years design life(25°C)
- Special exhaust structure and sealing technology, safe and reliable, flexible installation, convenient maintenance
- PbCaSn alloy for plate grids: less gassing, less self-discharging
- High quality AGM separator: extend cycle life and prevent micro short circuit
- High purity raw material: ensure low self discharge rate

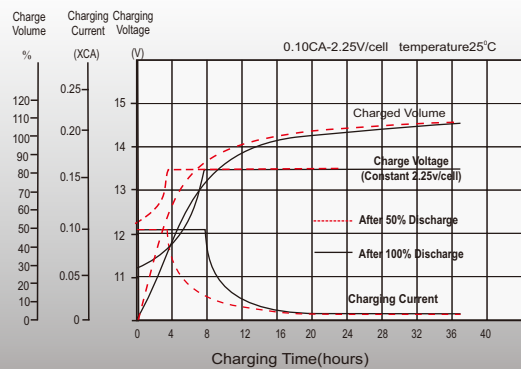
## Standards

- Compliance with IEC 60896 standards, EU Battery Directive
- UL, CE Certified
- Manufactured in Leoch®IATF 16949, ISO45001, ISO 9001 and ISO 14001 certified production facilities

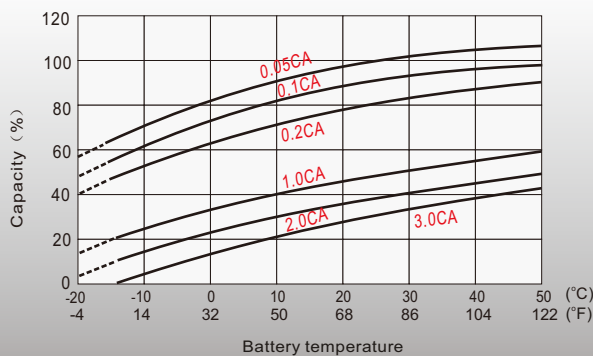
## Discharge Characteristics



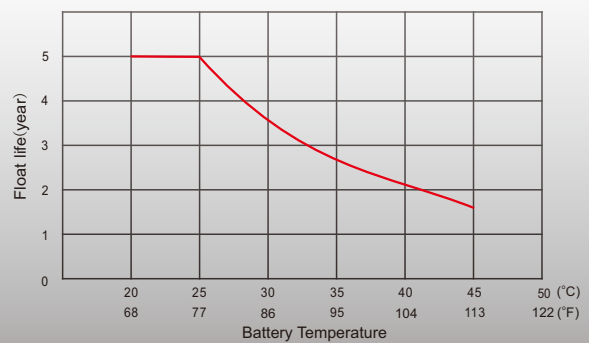
## Float Charging Characteristics



## Temperature Effects in Relation to Battery Capacity



## Float Service Life



## Sales Offices Worldwide

### China Sales Office

5th Floor, Xinbaohui Bldg., Nanhai Blvd.,  
Nanshan, Shenzhen, China. 518052  
Tel: +86-755-86036060 (100 lines)  
Tel: +86-755-26067269  
Fax: +86-755-26067269  
E-mail: export@leoch.com

### HongKong Sales Office

Workshop C, 33/F, TML Tower, No. 3 Hoi Shing Road,  
Tsuen Wan, New Territories, Hong Kong  
Tel: +852 35786666  
Tel: +44(0) 1452 729428 / 1452 729696  
Fax: +44 1452 690125  
E-mail: sales.hk@leoch.com

### Singapore Sales Office

No. 1 Tech Park Crescent,  
Singapore 638131  
Tel: +65 68636078  
Tel: +65 6863 6079  
Fax: +65 6863 6079  
Email: sales.sg@Leoch.com

### Australia Sales Office

2 /29 Tarlington Place, Smithfield, NSW 2164  
Australia  
Tel: 02 9756 0950  
E-mail: sales.au@leoch.com

### North America Sales Office

19751 Descartes  
Foothill Ranch, CA 92610, USA  
Tel: 949-588-5853  
Tel: 949-588-5853  
Fax: 949-588-5966  
E-mail: sales@leoch.us  
Http:// www.leoch.us

### UK Sales Office

9B Wheatstone Court, Waterwells, Business Park,  
Gloucester, GL2-2AQ, UK United Kingdom  
Tel: +44(0) 1452 729428 / 1452 729696  
Tel: +44 1452 690125  
Fax: +44 1452 690125  
E-mail: Sales.Europe@leoch.com  
Http:// www.leoch.eu

### EMEA Sales Office

1 Deligiorgi St., 121 31 Athens,  
Greece  
Tel: +30 210 5760318 (2 lines)  
Tel: +30 210 5760318 (2 lines)  
E-mail: support\_EMEA@leoch.com  
Http:// www.leoch.eu

### India Sales Office

Shed no.A-53(b), 2nd Stage of Peenya Industrial Area,  
Bangalore North Taluk, Bangalore-560058, India  
Tel: +91-80-23440018/23440019  
Tel: +91-80-23440017  
Tel: +91-80-23440017  
E-mail: indiasales@leoch.com



[Http://www.leoch.com](http://www.leoch.com)

© 2020 LEOCH. All rights reserved.

Trademarks and logos are the property of LEOCH and its affiliates unless otherwise noted.  
Subject to revisions without prior notice.

Publication No.: LB-LP12-6.0-PD-EN-V2.0-202004