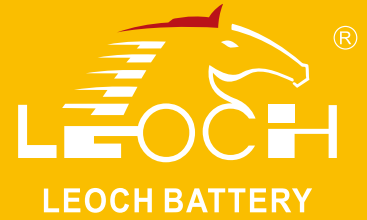




LP Series-General Purpose LP2-400(2V400Ah)

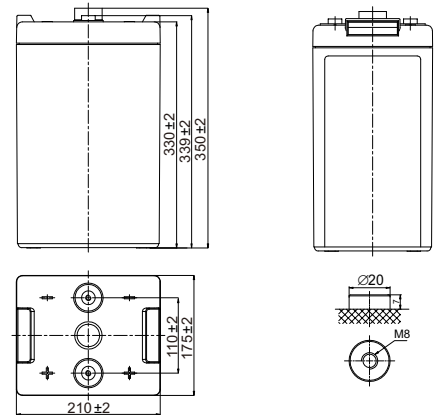


Specifications

Rated Voltage	2V	
Nominal Capacity	C ₁₀ , 1.80V/cell	400Ah
Dimension	Length	210±2mm (8.27 inches)
	Width	175±2mm (6.89 inches)
	Container Height	330±2mm (13.0 inches)
	Total Height	350±2mm (13.8 inches)
Approx Weight	25.5kg (56.2 lbs)	
Terminal	M8	
Container Material	ABS	
Rated Capacity(25°C)	424.0 Ah	C20(21.2A, 1.80V/cell)
	400.0 Ah	C10(40.0A, 1.80V/cell)
	350.0 Ah	C5(70.0A, 1.75V/cell)
	312.0 Ah	C3(104.0A, 1.75V/cell)
	245.4 Ah	C1(245.4A, 1.60V/cell)
Max. Discharge Current	3200A (5s)	
Internal Resistance(25°C)	Approx 0.6mΩ	
Operating Temp. Range	Discharge	-15 ~ 50°C (5 ~ 122°F)
	Charge	-20 ~ 40°C (-4 ~ 104°F)
	Storage	-15 ~ 40°C (5 ~ 104°F)
Nominal Operating Temp. Range	25±3°C (77±5°F)	
Standby Use	Initial Charging Current less than 120A. Voltage 2.23V~2.27V at 25°C(77°F)Temp. Coefficient -3mV/°C	
Equalization Use	Initial Charging Current less than 120A. Voltage 2.35V~2.40V at 25°C(77°F)Temp. Coefficient -4mV/°C	
Cycle Use	Initial Charging Current less than 120A. Voltage 2.40V~2.50V at 25°C(77°F)Temp. Coefficient -5mV/°C	
Effect of temp. to Capacity	40°C (104°F)	103%
	25°C (77°F)	100%
	0°C (32°F)	86%
Self Discharge	LP series batteries may be stored for up to 6 months at 25°C(77°F) and then a freshening charge is required. For higher temperatures the time interval will be shorter.	



Layout



Constant Current Discharge (Amperes) at 25°C (77°F)

F.V/Time	30min	45min	1h	1.5h	2h	3h	4h	5h	6h	8h	10h	20h
1.85V/cell	278.4	220.1	192.7	151.9	123.1	93.6	75.3	63.5	55.2	44.8	37.5	20.1
1.80V/cell	314.8	246.1	213.2	166.2	133.9	101.3	81.2	68.4	59.2	48.0	40.0	21.2
1.75V/cell	329.0	256.1	221.1	171.8	138.0	104.0	83.2	70.0	60.4	48.9	40.6	21.5
1.70V/cell	351.3	265.9	229.2	177.6	142.4	107.0	85.3	71.6	61.7	49.7	41.3	21.7
1.67V/cell	375.6	271.8	234.0	180.8	144.8	108.7	86.5	72.5	62.4	50.3	41.6	21.9
1.60V/cell	379.9	285.9	245.4	188.9	150.8	112.7	89.4	74.7	64.2	51.4	42.5	22.3

Constant Power Discharge (Watts/cell) at 25°C (77°F)

F.V/Time	30min	45min	1h	1.5h	2h	3h	4h	5h	6h	8h	10h	20h
1.85V/cell	538.1	426.8	374.5	296.2	240.5	183.6	148.0	125.1	108.8	88.6	74.2	40.0
1.80V/cell	603.2	473.8	411.6	322.2	260.4	197.8	159.0	134.3	116.4	94.6	79.0	42.1
1.75V/cell	625.2	489.2	423.8	331.0	266.9	202.2	162.3	137.0	118.5	96.2	80.1	42.6
1.70V/cell	661.5	503.8	436.4	340.2	274.0	207.2	165.8	139.7	120.7	97.7	81.3	43.1
1.67V/cell	700.4	512.5	443.4	345.0	277.6	209.7	167.7	141.1	121.9	98.6	81.9	43.4
1.60V/cell	702.4	533.3	460.6	357.4	287.0	216.1	172.4	144.8	124.8	100.6	83.4	44.2



LP Series-General Purpose LP2-400(2V400Ah)



Applications

- Tele-communication central station (wired or cellular)
- Power system communication, military communication, etc.
- Network communication including: data transmission, television signal transmission, etc.
- Uninterruptable Power System (UPS- for Telecom)

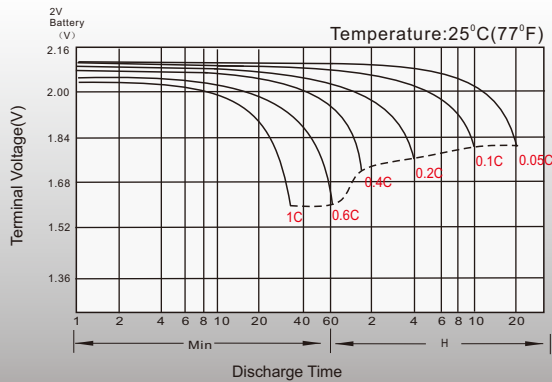
General Features

- 15 years design life(25°C)
- Special exhaust structure and sealing technology, safe and reliable, flexible installation, convenient maintenance
- PbCaSn alloy for plate grids: less gassing, less self-discharging
- High quality AGM separator: extend cycle life and prevent micro short circuit
- High purity raw material: ensure low self discharge rate

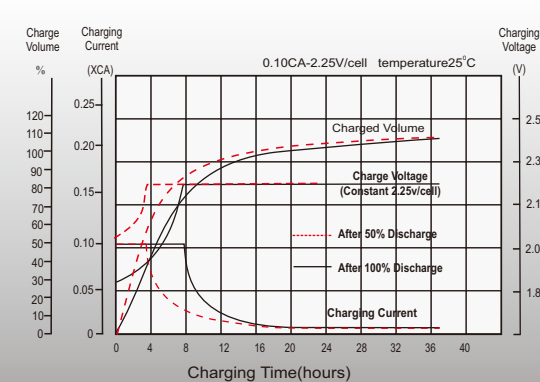
Standards

- Compliance with IEC 60896 standards, EU Battery Directive
- UL, CE Certified
- Manufactured in Leoch®IATF 16949, ISO45001, ISO 9001 and ISO 14001 certified production facilities

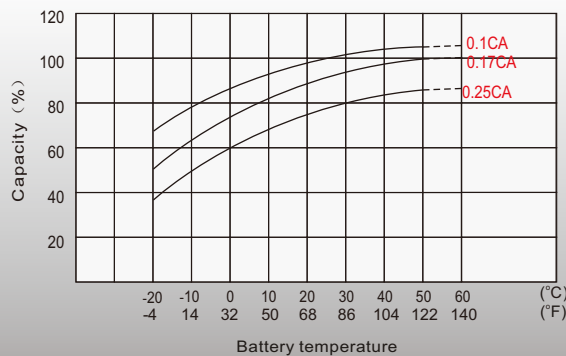
Discharge Characteristics



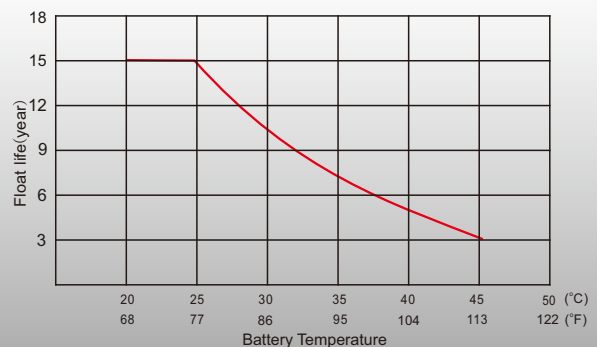
Float Charging Characteristics



Temperature Effects in Relation to Battery Capacity



Effect of Temperature on Long Term Float Life



Sales Offices Worldwide

China Sales Office
5th Floor, Xinbaohui Bldg., Nanhai Blvd.,
Nanshan, Shenzhen, China. 518052
Tel: +86-755-86036060 (100 lines)
Tel: +86-755-26067269
Fax: +86-755-26067269
E-mail: export@leoch.com

HongKong Sales Office
Workshop C, 33/F, TML Tower, No. 3 Hoi Shing Road,
Tsuen Wan, New Territories, Hong Kong
Tel: +852 35786666
Tel: +44(0) 1452 729428 / 1452 729696
Fax: +44 1452 690125
E-mail: sales.hk@leoch.com

Singapore Sales Office
No. 1 Tech Park Crescent,
Singapore 638131
Tel: +65 68636078
Tel: +30 210 5760318 (2 lines)
Fax: +65 6863 6079
E-mail: sales.sg@leoch.com

Australia Sales Office
2 /29 Tarlington Place, Smithfield, NSW 2164
Australia
Tel: 02 9756 0950
E-mail: sales.au@leoch.com

North America Sales Office
19751 Descartes
Foothill Ranch, CA 92610, USA
Tel: 949-588-5853
Tel: 949-588-5853
Fax: 949-588-5966
E-mail: sales@leoch.us
Http:// www.leoch.us

UK Sales Office
9B Wheatstone Court, Waterwells, Business Park,
Gloucester, GL2-2AQ, UK United Kingdom
Tel: +44(0) 1452 729428 / 1452 729696
Tel: +44 1452 690125
Fax: +44 1452 690125
E-mail: Sales.Europe@leoch.com
Http:// www.leoch.eu

EMEA Sales Office
1 Deligiorgi St., 121 31 Athens,
Greece
Tel: +30 210 5760318 (2 lines)
Tel: +30 210 5760318 (2 lines)
E-mail: support_EMEA@leoch.com
Http:// www.leoch.eu

India Sales Office
Shed no.A-53(b), 2nd Stage of Peenya Industrial Area,
Bangalore North Taluk, Bangalore-560058, India
Tel: +91-80-23440018/23440019
Tel: +91-80-23440017
Tel: +91-80-23440017
E-mail: indiasales@leoch.com



[Http://www.leoch.com](http://www.leoch.com)

© 2020 LEOCH. All rights reserved.
Trademarks and logos are the property of LEOCH and its affiliates unless otherwise noted.
Subject to revisions without prior notice.

Publication No.: LB-LP2-400-PD-EN-V3.0-202012