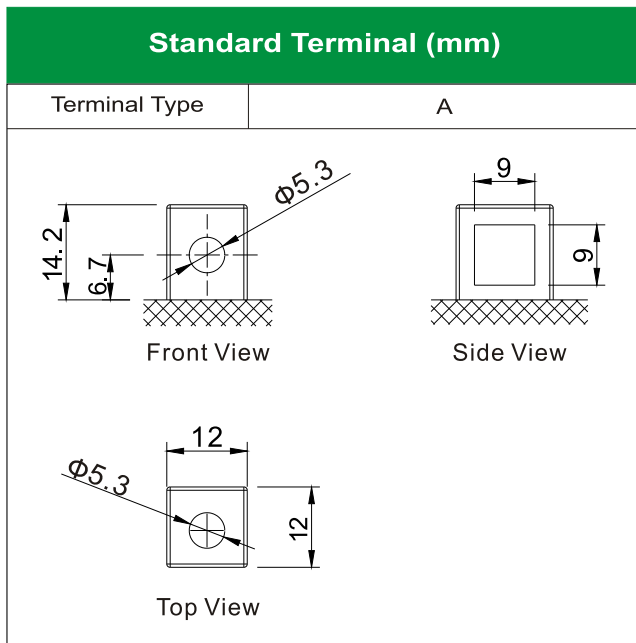
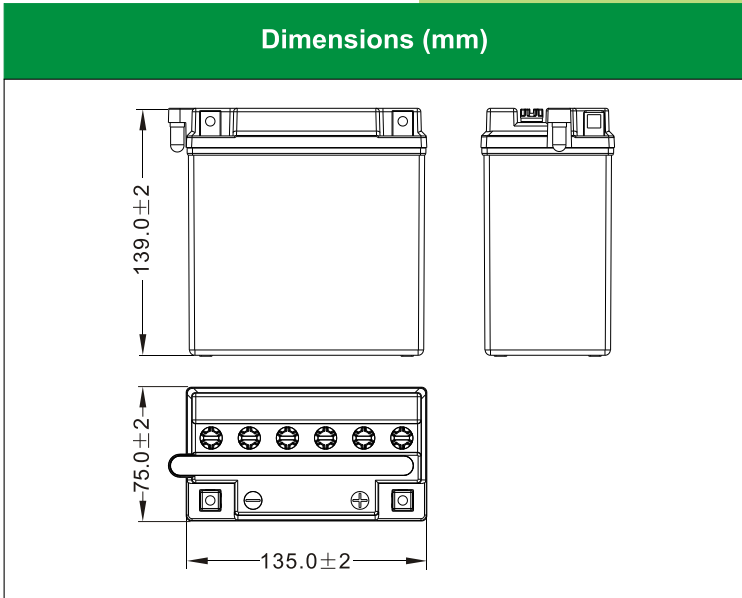


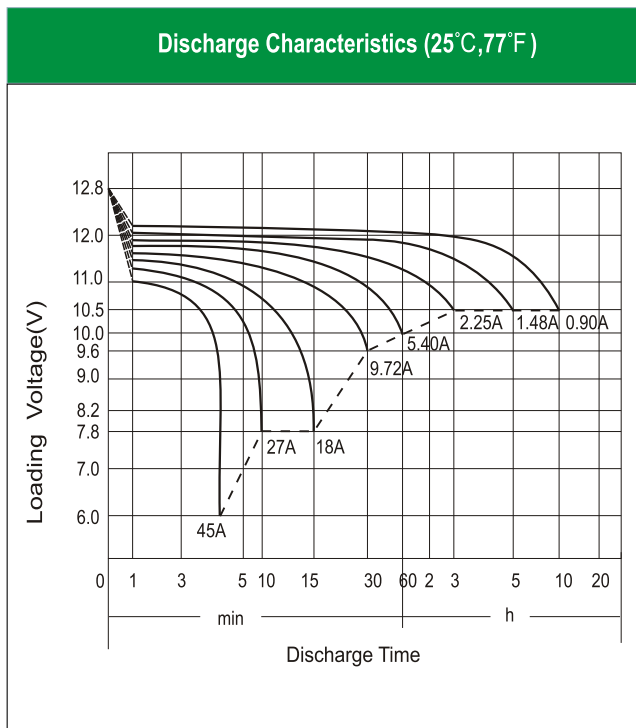


LEOCH BATTERY LB9L-A2 [12V9Ah]



Physical Specification

| | | |
|-------------------------------------------------------------------------------------------------------------------------------------------------------------------------------------------------------------------------------------------------------------------------------------------------------------|---------------------------------------------|-------------------------|
| Nominal Voltage | 12V | |
| Nominal Capacity (10HR) | 9Ah | |
| Dimension | Length | 135 ± 2mm (5.31 inches) |
| | Width | 75 ± 2mm (2.95 inches) |
| | Container Height | 139 ± 2mm (5.47 inches) |
| | Total Height (with Terminal) | 139 ± 2mm (5.47 inches) |
| Weight | Battery(with acid): Approx 2.99kg (6.59lbs) | |
| | Electrolyte: Approx 0.76kg (1.68lbs) | |
| <ul style="list-style-type: none"> * High performance and dry charged high quality and flooded battery * Low maintenance * Powerful 95 cold cranking amps * Shipped without battery electrolyte pre-charged and ready to install * Replaces none battery | | |



Electrical Specification

| | | |
|----------------------------------|------------------------|-----------------------------------------------------------------------------------------------------------------------------------------------------------------------------------------------------------------------------------------------------------------|
| Rated Capacity | 10 hour rate (0.90A) | 9.00Ah |
| | 5 hour rate (1.48 A) | 7.38Ah |
| | 2 hour rate (3.15 A) | 6.30Ah |
| | 1 hour rate (5.40 A) | 5.40Ah |
| | 0.5 hour rate (9.72 A) | 4.86Ah |
| Capacity affected by Temperature | 40 °C (104 °F) | 106% |
| | 25 °C (77 °F) | 100% |
| | 0 °C (32 °F) | 86% |
| | -15 °C (5 °F) | 65% |
| Charging Methods | Full Charge | Constant-Voltage Charge: Initial charging current: less than 2.7A Voltage: 14.40 V ~ 15.00 V at 25 °C (77 °F) Charging time: 16 ~24h Constant-Current Charge: Charging current: 0.9A, when charging voltage up to 15.60V, continue to charge 2h. |
| | Floating Charge | No limit on Initial charging current Voltage: 13.50 V ~ 13.80 V at 25 °C (77 °F) |